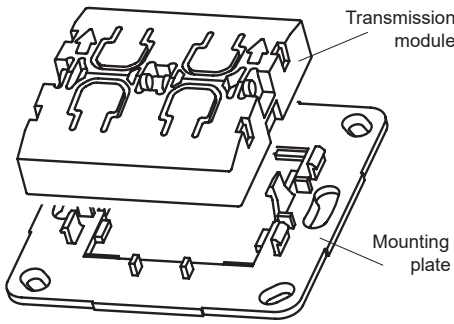


Model



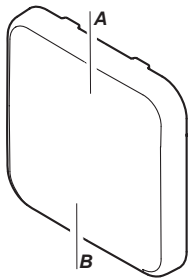
RTS32E5002A11 for single rockers
RTS33E5004A11 for double rockers

Application variants

SINGLE ROCKERS

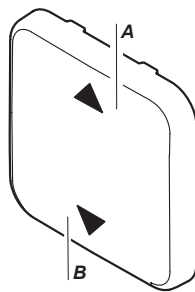
ON/OFF or PULSE

2 button operation
RTS32-ACC-01-xxP



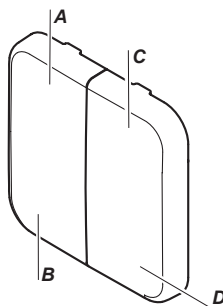
UP/DOWN

2 button operation
RTS32-ACC-02-xxP

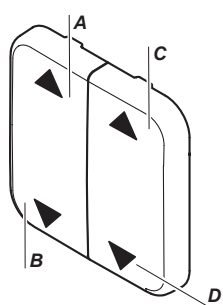


DOUBLE ROCKERS

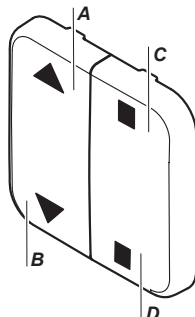
ON/OFF 2 button operation
RTS33-ACC-01-xxP



UP/DOWN
2 button operation
RTS33-ACC-02-xxP



UP/STOPP/DOWN
3 button operation
RTS33-ACC-03-xxP



Technical Details

Frequency: 868.30 MHz
Radiated power: 0.16 mW
Modulation: FSK
Coding: Easywave
Power supply: 1x 3-V-battery, CR2032
Oper. Temperature: -20 °C to +60 °C
Range: free-field: approx. 150 m
buildings: approx. 30 m
Dimensions: Mounting plate: 71x71x1,8 mm
Rocker: 54x54x7 mm
Weight: 24.0 g

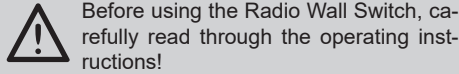
Scope of Delivery

Transmission module, battery CR2032, mounting plate, attachment set, operating instructions

Intended Use

Only use the Radio Wall Switch RTS32/33 in dry indoor rooms to switch Easywave receivers. The manufacturer shall not be liable for any damage caused by improper or non-intended use.

Safety Advice



Before using the Radio Wall Switch, carefully read through the operating instructions!

Also note the operating instructions of the receiver(s)!

The Radio Wall Switch should only be operated within sight of the devices to be controlled! Otherwise persons could be placed in danger! Have faulty Radio Wall Switches checked by the manufacturer!

Do not make any unauthorized alterations or modifications to the RadioWall Switch! Keep the batteries out of the reach of children!

Function

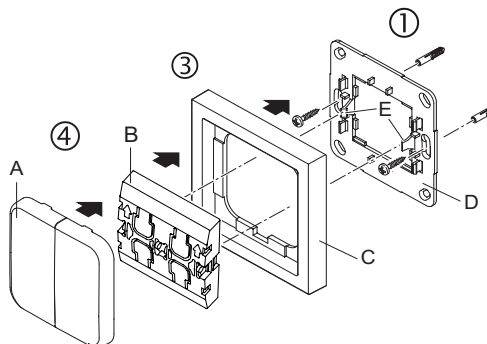
The RTS32/33 is a wireless switch transmitter for surface mounting in dry rooms. The buttons are suitable for the Busch-Jäger switch programs: Reflex SI and SI Linear, Busch-Duro 2000 SI (except version 212) and SI Linear.

By pushing the button the Easywave code A/B/C/D is transmitted and the connected Easywave receivers are switched in their selected operating mode:

ON(A/C) or OFF(B/D), PULSE(A/B/C/D), UP(A/C) or DOWN(B/D), UP(A) / STOP(C/D) / DOWN(B)

Start-Up

- Screw or stick the mounting plate to the installation site with the screws and dowels or the adhesive pads.
Caution: Make sure there is no interference with the wireless connection. Do not mount the device in a distribution box, in metal casings, in direct proximity to large metal objects, on the floor or close to it.
- Insert the battery (see chapter „Insert/change battery“).
- Place the cover frame onto the mounting plate and snap the transmission module to the catches on right and left. **The arrow on the transmission module has to point upwards.**
- Plug the rocker(s) onto the transmission module.
- Memorize the transmission code into the receivers. Please read the operating instructions supplied with the receivers.

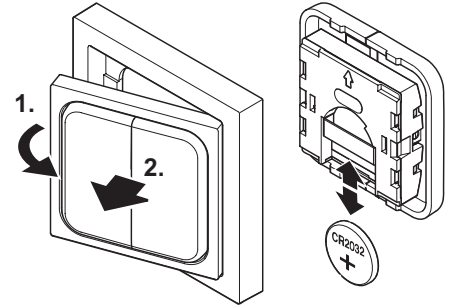


A Rocker(s) C Cover frame (not in the delivery)
B Transmission module D Mounting plate
E Catches

Insert/change battery

- Lever off the transmission group.
- Replace the battery. Only use batteries of the type CR2032. **Make sure the polarity is correct. The positive pole has to be visible!**
- Replace the transmission group back onto the catches.

Note: The coding of the transmitter is preserved even if there is no voltage supply. You do not need to memorize the code in the receivers again after a battery change.



Trouble Shooting

If the radio control does not react to the Radio Wall Switch:

- Change the battery.
- Check that the wireless connection at the installation site is not impaired between the Radio Wall Switch and the receiver.
- Memorize the transmission code in the receiver.
- Other wireless devices using the same frequency and working in direct proximity may interfere with the device.

Disposal

Waste electrical products and batteries are not to be disposed of with household waste!

Dispose of the waste product via a collection point for electronic scrap or via your specialist dealer. Dispose of used batteries in a recycling bin for batteries or via the specialist trade. Put the packaging material into the recycling bins for cardboard, paper and plastics.

Warranty

Within the statutory warranty period we undertake to rectify free of charge by repair or replacement any product defects arising from material or production faults.

Any unauthorized tampering with, or modifications to, the product shall render this warranty null and void.

Conformity



Hereby, ELDAT EaS GmbH declares that the radio equipment type RTS32 and RTS33 is in compliance with Directive 2014/53/EU.

The full text of the EU declaration of conformity is available at the following internet address: www.eldat.de

Service

If, despite correct handling, faults or malfunctions occur or if the product was damaged, please contact the company at the address below:

ELDAT EaS GmbH
Schmiedestraße 2
15745 Wildau
Germany
Phone: + 49 (0) 33 75 / 90 37-310
Fax: + 49 (0) 33 75 / 90 37-90
Internet: www.eldat.de
E-Mail: info@eldat.de