



Transmit



Recieve



Decode



Control

Repeater RTR01

Baseline

With the Repeater RTR01 the range of ELDAT transmitters can be increased. It works like a relay station, which means that it receives telegrams and after an adjustable time delay sends them out again on the same frequency. The signal can also be allocated to one of eight repeater levels.

An additional button input and an additional relay output offer a variety of applications.

By the serial interface RS232 telegrams can be evaluated on the computer.



RTR01-4101M-0X

Technical Details

Coding	3-bit-level address adjustable by DIP-switch
Channels	1
Range	up to 150 m under favourable open field conditions
Power Supply	see model specifications
Degree of Protection	IP65
Operating Temperature	-20 °C to +60 °C
Dimensions	162 x 70 x 38 mm (case)

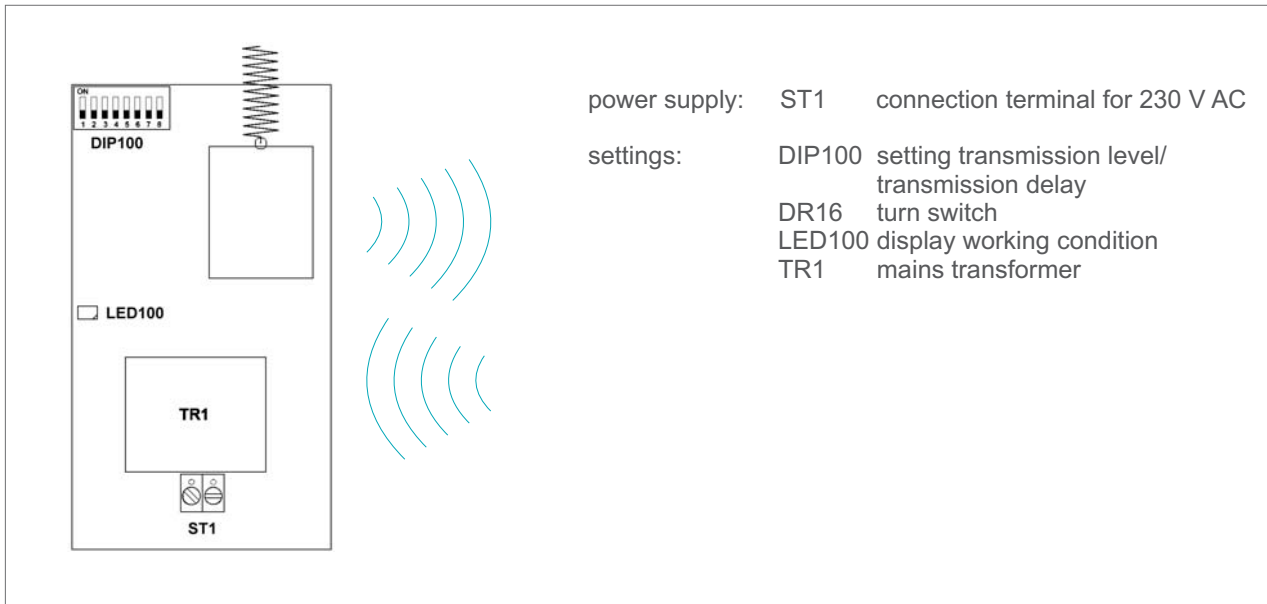
Scope of Delivery

- Repeater
- Mounting Material
- Operating Manual

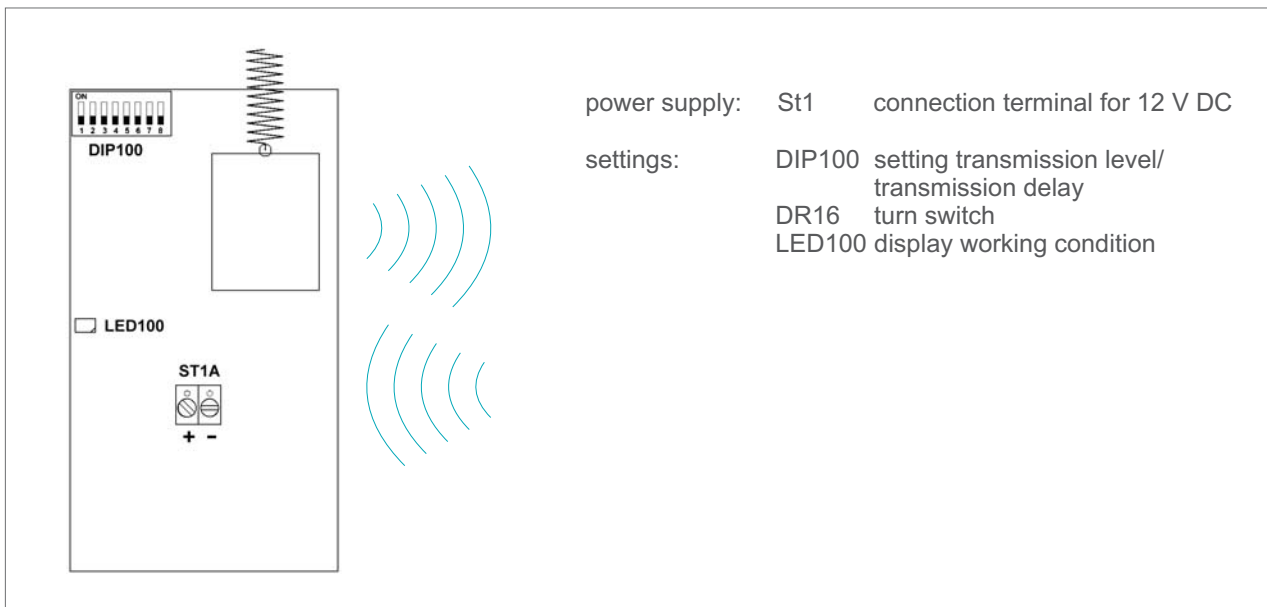
Models

Product Key	Description	Power Supply	Input	Output	Frequency
RTR01-4101M-01	Repeater	12 V DC	-	-	433,92 MHz
RTR01-4101M-02	Repeater	12 V DC	button	Relais (max. 8 A)	433,92 MHz
RTR01-4101M-03	Repeater	12 V DC	-	serial/RS232	433,92 MHz
RTR01-4101M-04	Repeater	230 V AC	-	-	433,92 MHz
RTR01-4101M-05	Repeater	230 V AC	button	relay (max. 8 A)	433,92 MHz
RTR01-4101M-06	Repeater	230 V AC	-	serial/RS232	433,92 MHz

Connection Diagram

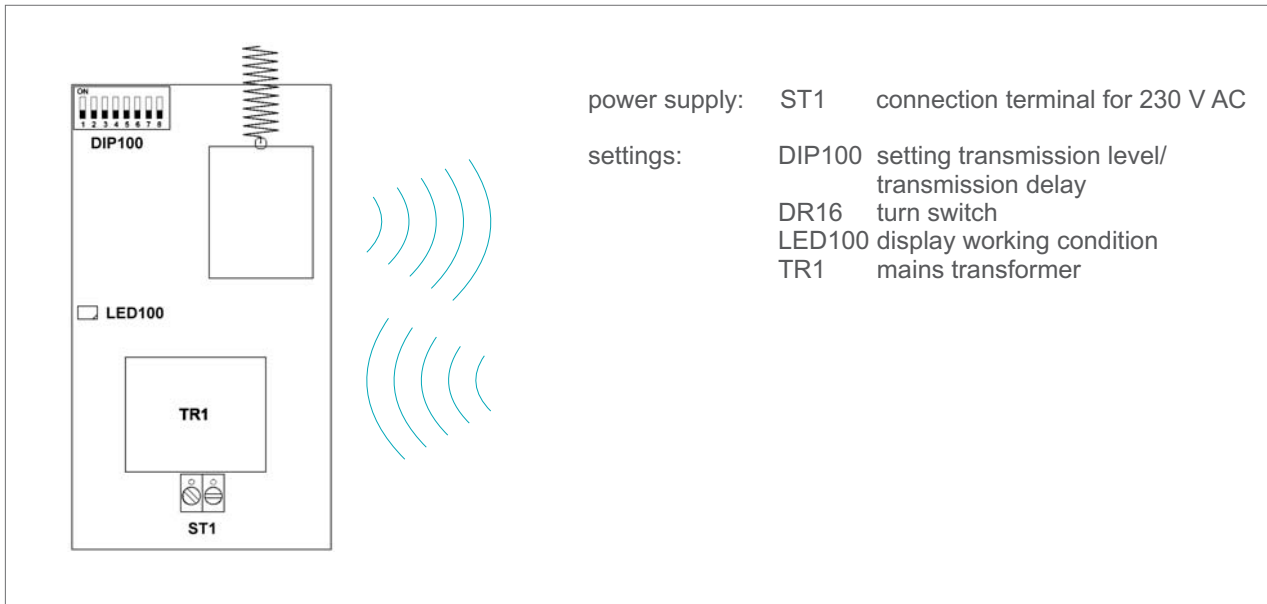


RTR01-4104M-04 (230V AC)

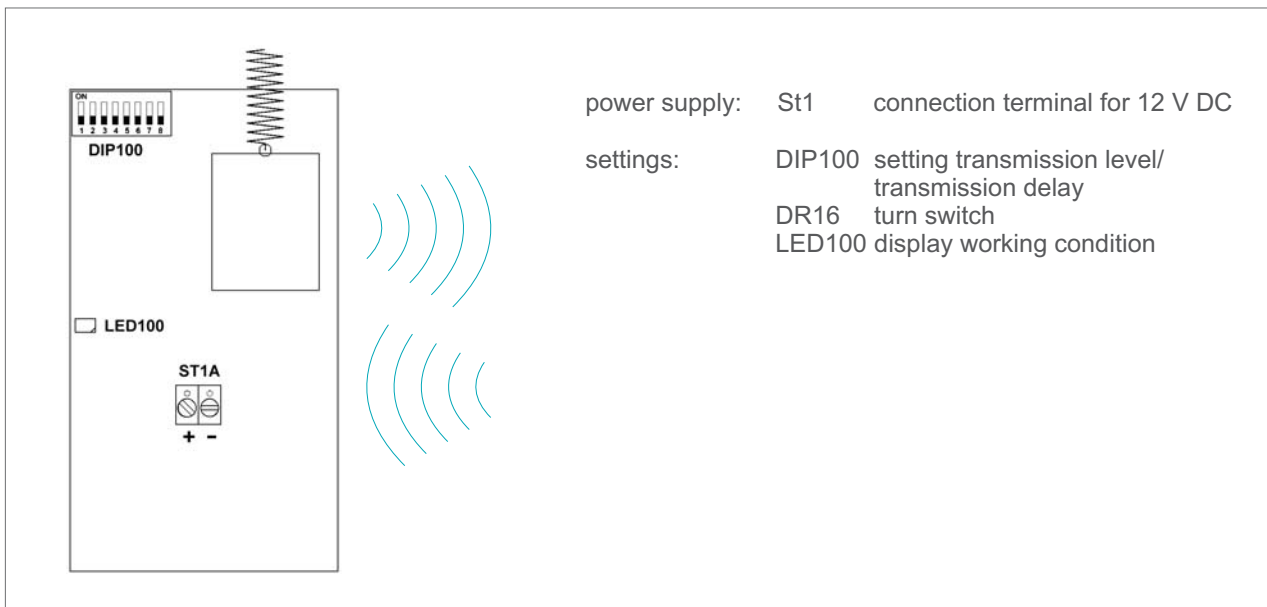


RTR01-4104M-01 (12V DC)

Connection Diagram



RTR01-4104M-04 (230V AC)



RTR01-4104M-01 (12V DC)